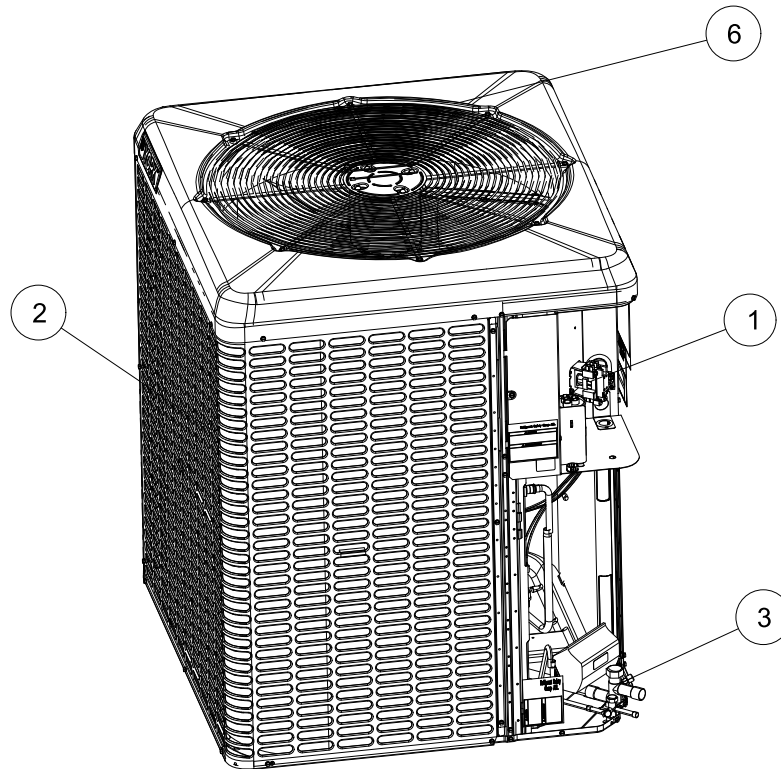


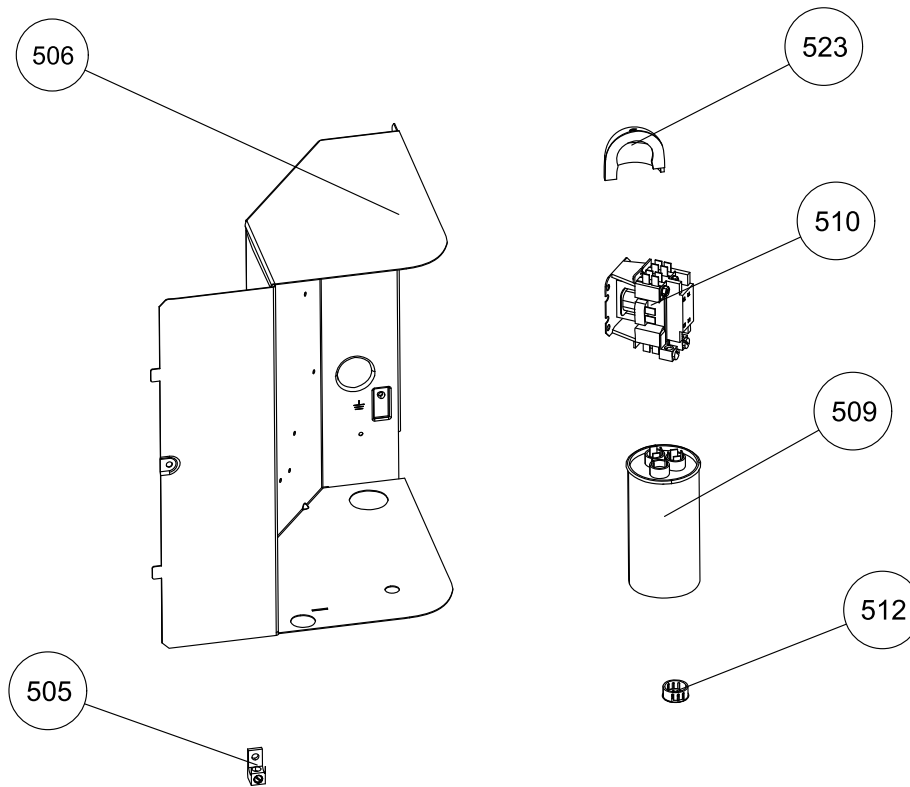
## REPAIR PARTS LIST

PRINTED DATE: 1/24/2025

The information provided to you may include Johnson Controls' trade secrets, intellectual property, and confidential business information (including its Bill of Materials), and this information is to be kept in the strictest confidence and not to be disclosed to any third party without the prior written consent of Johnson Controls.



Section	Description
1	ELECTRICAL BOX / CONTROLS
2	SHEET METAL / CABINET PARTS
3	REFRIGERATION SYSTEM
6	ROOF ASSEM / OUTDOOR FAN AND MOTOR PARTS
8	MISCELLANEOUS
10	HARNESSES

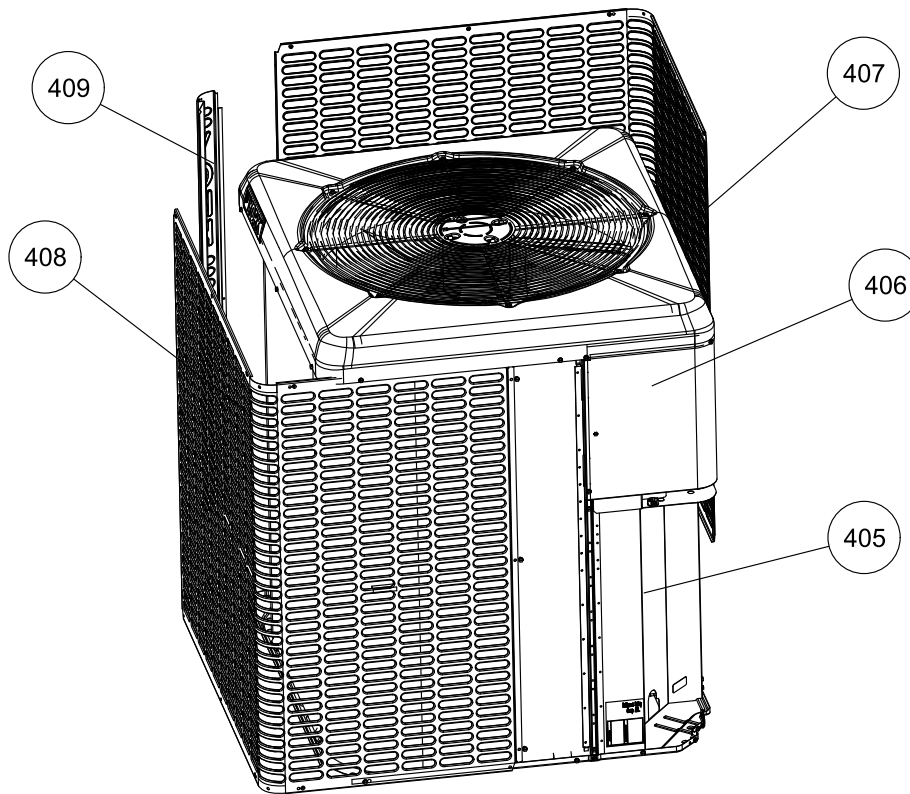


**Section : ELECTRICAL BOX / CONTROLS**

Section	Callout	Replacement Part #	Description	Original Part #	YC318E2 S11	YC324E2 S11	YC330E2 S11	YC336E2 S11	YC342E2 S11
1	505	S1-02521798000	LUG,GROUND,ELECTRICAL ALUMINUM 1.06 X .5	S1-02521798000	1	1	1	1	1
1	506	S1-07339396001	CONTROL-BOX,SMALL	S1-07339396001	1	1	1	1	
1	506	S1-07339486001	CONTROL BOX,LARGE	S1-07339486001					1
1	509	S1-02425120700	CAP,RUN DUAL,45/5MFD,440V,ROUND	S1-02425120700					1
1	509	S1-02425894700	CAP,RUN DUAL,40/5MFD,440V,ROUND	S1-02425894700	1	1	1	1	
1	523	S1-02817106000	GASKET,RAIN HOOD,PLASTIC	S1-02817106000	1	1	1	1	1

Section	Callout	Replacement Part #	Description	Original Part #	YC348E2 S11	YC360E2 S11			
1	505	S1-02521798000	LUG,GROUND,ELECTRICAL ALUMINUM 1.06 X .5	S1-02521798000	1	1			
1	506	S1-07339486001	CONTROL BOX,LARGE	S1-07339486001	1	1			
1	509	S1-02425120700	CAP,RUN DUAL,45/5MFD,440V,ROUND	S1-02425120700	1				
1	523	S1-02817106000	GASKET,RAIN HOOD,PLASTIC	S1-02817106000	1	1			

Suggested stocking items are shown with shaded item number.

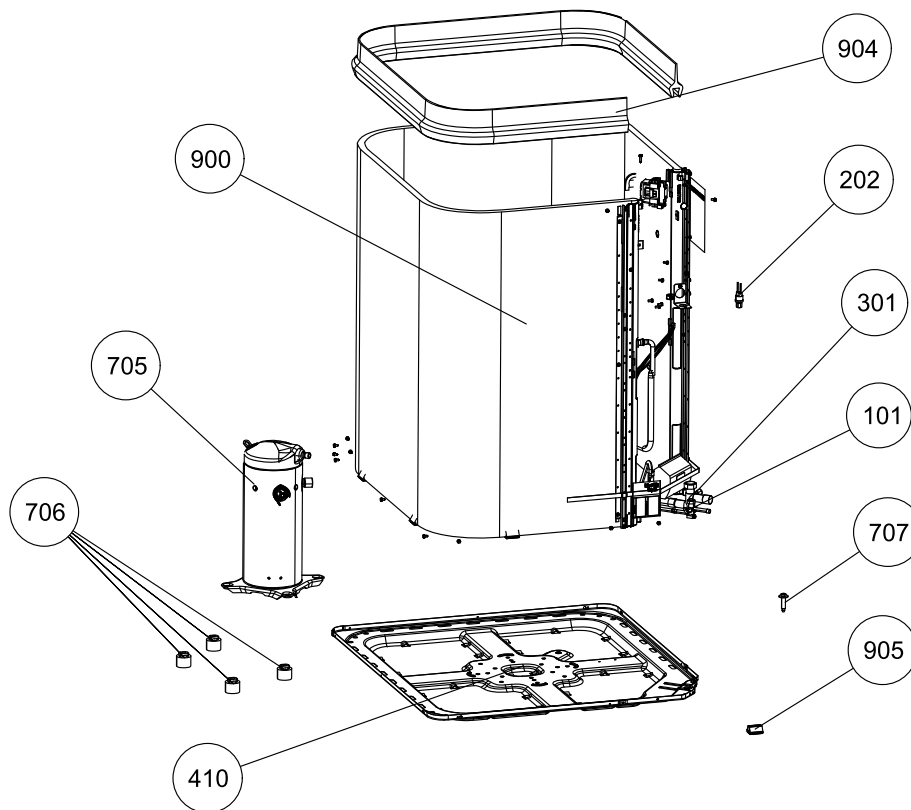


**Section : SHEET METAL / CABINET PARTS**

Section	Callout	Replacement Part #	Description	Original Part #	YC318E2 S11	YC324E2 S11	YC330E2 S11	YC336E2 S11	YC342E2 S11
2	406	S1-07349488002	COVER,CONTROL BOX,LARGE,MMIST	S1-07349488002					1
2	407	S1-07349592013	PNL,COIL GUARD,B-BASE,32 INCH,MMIST	S1-07349592013					2

Section	Callout	Replacement Part #	Description	Original Part #	YC348E2 S11	YC360E2 S11			
2	406	S1-07349488002	COVER,CONTROL BOX,LARGE,MMIST	S1-07349488002	1	1			
2	407	S1-07349596017	PNL,COIL GUARD,C-BASE,29 INCH,MMIST,RH	S1-07349596017	1				
2	407	S1-07349608029	PNL,COIL GUARD,D-BASE,32 INCH,MMIST,RH	S1-07349608029		1			
2	408	S1-07349602023	PNL,COIL GUARD,C-BASE,29 INCH,MMIST,LH	S1-07349602023	1				
2	408	S1-07349616037	PNL,COIL GUARD,D-BASE,32 INCH,MMIST,LH	S1-07349616037		1			

Suggested stocking items are shown with shaded item number.



### Section : REFRIGERATION SYSTEM

Section	Callout	Replacement Part #	Description	Original Part #	YC318E2 S11	YC324E2 S11	YC330E2 S11	YC336E2 S11	YC342E2 S11
3	101	S1-02322459000	VALVE,BASE,3/8 INCH	S1-02322459000	1	1	1	1	1
3	301	S1-02322460000	VALVE,BASE,3/4 INCH	S1-02322460000	1	1	1	1	
3	301	S1-02322461000	VALVE,BASE,7/8 INCH	S1-02322461000					1
3	705	S1-01505308004	COMPR,ROTARY,208/230-1-60,R-454B,POE	S1-01505308004		1			
3	705	S1-01505386000	COMPR,SCROLL,208/230-1-60,R-454B,POE	S1-01505386000				1	
3	705	S1-01505391004	COMPR,ROTARY,208/230-1-60,R-454B	S1-01505391004	1				
3	705	S1-01505393004	COMPR,SCROLL,208/230-1-60,R-454B,POE	S1-01505393004			1		
3	705	S1-01505395004	COMPR,SCROLL,208/230-1-60,R-454B,POE	S1-01505395004					1
3	706	S1-02810505000	GROMMET	S1-02810505000					4
3	706	S1-02810581000	ISOLATOR,COMPRESSOR,NEOPRENE	S1-02810581000			4	4	
3	706	S1-02812355001	ISOLATOR,COMPRESSOR	S1-02812355001	4	4			
3	707	5833605	Screw Shoulder Hex-w 5/16 UNF L=1.715in	5833605					4
3	707	6059295	Screw Shoulder Hex-w 5/16 UNF L=1-1/2in	6059295	4	4	4	4	
3	708	S1-02550883000	HARNESS,COMPRESSOR W/PLUG	S1-02550883000			1		1

3	708	S1-02551479000	HARNESS,COMPRESSOR,W/PLUG	S1-02551479000					1	
3	708	S1-02551748000	HARNESS,COMPRESSOR W/PLUG	S1-02551748000	1	1				
3	900	S1-37339413003	COIL,OD FORMED ASSEM,32 INCH,B-BASE	S1-37339413003						1
3	900	S1-37339421007	COIL,OUTDOOR FORMED ASSEM,22IN H,A-BASE	S1-37339421007	1					
3	900	S1-37349384001	COIL,OUTDOOR,FORMED,18.0 MM,A-BASE,32 IN	S1-37349384001			1	1		
3	900	S1-37349385001	COIL,OD FORMED ASSEM,29IN,A-BASE	S1-37349385001		1				
3	904	S1-02817075000	MOUNT,COIL,FOAM MOLDED,MC,CUT TO LENGTH	S1-02817066000	1	1	1	1		
3	904	S1-02817075000	MOUNT,COIL,FOAM MOLDED,MC,CUT TO LENGTH	S1-02817069000						1
3	905	S1-02817063000	MOUNT,COIL,E	S1-02817063000	6	6	6	6	6	6

Section	Callout	Replacement Part #	Description	Original Part #	YC348E2 S11	YC360E2 S11				
3	101	S1-02322459000	VALVE,BASE,3/8 INCH	S1-02322459000	1	1				
3	301	S1-02322461000	VALVE,BASE,7/8 INCH	S1-02322461000	1	1				
3	705	S1-01505396004	COMPR,SCROLL,208/230-1-60,R-454B,POE	S1-01505396004	1					
3	705	S1-01505397004	COMPR,SCROLL,208/230-1-60,R-454B,POE	S1-01505397004		1				
3	706	S1-02810505000	GROMMET	S1-02810505000	4	4				
3	707	5833605	Screw Shoulder Hex-w 5/16 UNF L=1.715in	5833605	4	4				
3	708	S1-02551479000	HARNESS,COMPRESSOR,W/PLUG	S1-02551479000	1	1				
3	900	S1-37339413004	COIL,OD FORMED ASSEM,29 INCH,C-BASE	S1-37339413004	1					
3	900	S1-37339413005	COIL,OD FORMED ASSEM,32 INCH,D-BASE	S1-37339413005		1				
3	904	S1-02817075000	MOUNT,COIL,FOAM MOLDED,MC,CUT TO LENGTH	S1-02817072000	1					
3	904	S1-02817075000	MOUNT,COIL,FOAM MOLDED,MC,CUT TO LENGTH	S1-02817075000		1				
3	905	S1-02817063000	MOUNT,COIL,E	S1-02817063000	8	8				

Suggested stocking items are shown with shaded item number.

Section	Callout	Replacement Part #	Description	Original Part #	YC318E2 S11	YC324E2 S11	YC330E2 S11	YC336E2 S11	YC342E2 S11
6	403	S1-02647769000	GUARD,FAN,BLACK,22 INCH (B)	S1-02647769000					1
6	403	S1-02649701000	GUARD, FAN,18",BLACK	S1-02649701000	1	1	1	1	
6	603	S1-36390117700	NUT,ACORN KIT #8-32 UNC	S1-36390117700	4	4	4	4	4
6	604	S1-02117310000	SCREW,HEX WASHER NOMINAL SIZE 10-16	S1-02117310000	6	6	6	6	6
6	604	S1-02818867000	WIREWAY,A CABINET	S1-02818867000	1	1	1	1	
6	604	S1-02818868000	WIREWAY,B CABINET	S1-02818868000					1
6	605	S1-02436240000	MTR,COND,1/4,850,CWLE,208/230V	S1-02436240000					1
6	605	S1-02440877000	MTR,COND,1/4HP,1100/1,CW,230-1-60	S1-02440877000				1	
6	605	S1-02440886000	MTR,COND,1/8 HP,1075/1,CW,230-1-60	S1-02440886000		1	1		
6	605	S1-02440889000	MTR,COND,1/12,1000/1,CW,230-1-60	S1-02440889000	1				
6	606	S1-02634092000	FAN,PROP,18",CW,3-34,1/2"BORE	S1-02634092000				1	
6	606	S1-02634593000	FAN,PROP,22",CW,3-30,1/2"BORE	S1-02634593000					1
6	606	S1-02634754000	FAN,PROP,18",CW,3-24,1/2"BORE	S1-02634754000	1	1	1		

Section	Callout	Replacement Part #	Description	Original Part #	YC348E2 S11	YC360E2 S11			
6	403	S1-02647770000	GUARD,FAN,BLACK,24 INCH (C)	S1-02647770000	1				
6	403	S1-02647771000	GUARD,FAN,BLACK,26 INCH (D)	S1-02647771000		1			
6	603	S1-36390117700	NUT,ACORN KIT #8-32 UNC	S1-36390117700	4	4			
6	604	S1-02117310000	SCREW,HEX WASHER NOMINAL SIZE 10-16	S1-02117310000	6	6			
6	604	S1-02818869000	WIREWAY,C CABINET	S1-02818869000	1				
6	604	S1-02818870000	WIREWAY,D CABINET	S1-02818870000		1			
6	605	S1-02436240000	MTR,COND,1/4,850,CWLE,208/230V	S1-02436240000	1	1			
6	606	S1-02631361000	FAN,PROP,24",CW,3-25,1/2"BORE	S1-02631361000	1				
6	606	S1-02647794000	FAN,PROP,26 INCH,CW,3-24,1/2 INCH BORE	S1-02647794000		1			

Suggested stocking items are shown with shaded item number.

## Section : MISCELLANEOUS

Section	Callout	Replacement Part #	Description	Original Part #	YC318E2 S11	YC324E2 S11	YC330E2 S11	YC336E2 S11	YC342E2 S11
8	NS	1152887	LABEL - BLANK WIRING DIAGRAM 8.5 X 11.0	1152887	1	1	1	1	1
8	NS	6436388	WIRING DIAGRAM - 8.5 X 11.0	6436388	1	1	1	1	1
8	NS	S1-02118316000	SCREW,HEX,WASHER HEADNOMINAL SIZE 10-32	S1-02118316000	1	1	1	1	1
8	NS	S1-02118396000	SCREW,AB,#10 X 3/8 INCH,BLACK (M25)	S1-02118396000	41	41	41	41	48
8	NS	S1-02118397000	SCREW,AB,#10 X 3/4",BLACK (M25)	S1-02118397000	8	8	8	8	8
8	NS	S1-02118399000	SCREW,B,#10 X 3/8" LG,BLACK (M25)	S1-02118399000	1	1	1	1	1
8	NS	S1-02442415000	CNTCTR,1P,40A,24V	S1-02442415000	1	1	1	1	1
8	NS	S1-02527642000	CABLE STRAP,BLACK	S1-02509607000	2	2	2	2	2
8	NS	S1-02522638000	BUSHING,SNAP	S1-02522638000	1	1	1	1	1
8	NS	S1-02546848000	SWITCH,PRESSURE,HIGH	S1-02546848000	1	1	1	1	1
8	NS	S1-02816476001	BADGING,YORK,OD,ML (M24)	S1-02816476001	1	1	1	1	1
8	NS	S1-6109460	FILTER-DRIER,LIQUID,3/8 ODF,DCL 053S	S1-6109460	1	1	1	1	1

Section	Callout	Replacement Part #	Description	Original Part #	YC348E2 S11	YC360E2 S11			
8	NS	1152887	LABEL - BLANK WIRING DIAGRAM 8.5 X 11.0	1152887	1	1			
8	NS	6436388	WIRING DIAGRAM - 8.5 X 11.0	6436388	1	1			
8	NS	S1-02118316000	SCREW,HEX,WASHER HEADNOMINAL SIZE 10-32	S1-02118316000	1	1			
8	NS	S1-02118396000	SCREW,AB,#10 X 3/8 INCH,BLACK (M25)	S1-02118396000	48	48			
8	NS	S1-02118397000	SCREW,AB,#10 X 3/4",BLACK (M25)	S1-02118397000	8	8			
8	NS	S1-02118399000	SCREW,B,#10 X 3/8" LG,BLACK (M25)	S1-02118399000	1	1			
8	NS	S1-02442415000	CNTCTR,1P,40A,24V	S1-02442415000	1	1			
8	NS	S1-02527642000	CABLE STRAP,BLACK	S1-02509607000	2	2			
8	NS	S1-02522638000	BUSHING,SNAP	S1-02522638000	1	1			
8	NS	S1-02546848000	SWITCH,PRESSURE,HIGH	S1-02546848000	1	1			
8	NS	S1-02816476001	BADGING,YORK,OD,ML (M24)	S1-02816476001	1	1			
8	NS	S1-6109460	FILTER-DRIER,LIQUID,3/8 ODF,DCL 053S	S1-6109460	1	1			

Suggested stocking items are shown with shaded item number.

## Section : HARNESES

Section	Callout	Replacement Part #	Description	Original Part #	YC318E2 S11	YC324E2 S11	YC330E2 S11	YC336E2 S11	YC342E2 S11
10	513	S1-02552092000	HARNESS,WIRE,AC	S1-02552092000	1	1	1	1	1

Section	Callout	Replacement Part #	Description	Original Part #	YC348E2 S11	YC360E2 S11			
10	513	S1-02552092000	HARNESS,WIRE,AC	S1-02552092000	1	1			

Suggested stocking items are shown with shaded item number.



Model series repair parts lists are generated for each model number from the last production bill of material.

Major components and suggested stocking items are shown with shaded item number.

Repair parts lists are subject to change without notice.

TO ORDER AUTHORIZED FACTORY REPLACEMENT PARTS - Contact your Source1 HVAC Parts Distributor or visit our website at [www.Source1Parts.com](http://www.Source1Parts.com) for a Distributor and Dealer listing.

Copyright © 2025 by Johnson Controls Inc. All rights reserved.

Johnson Controls Unitary Products